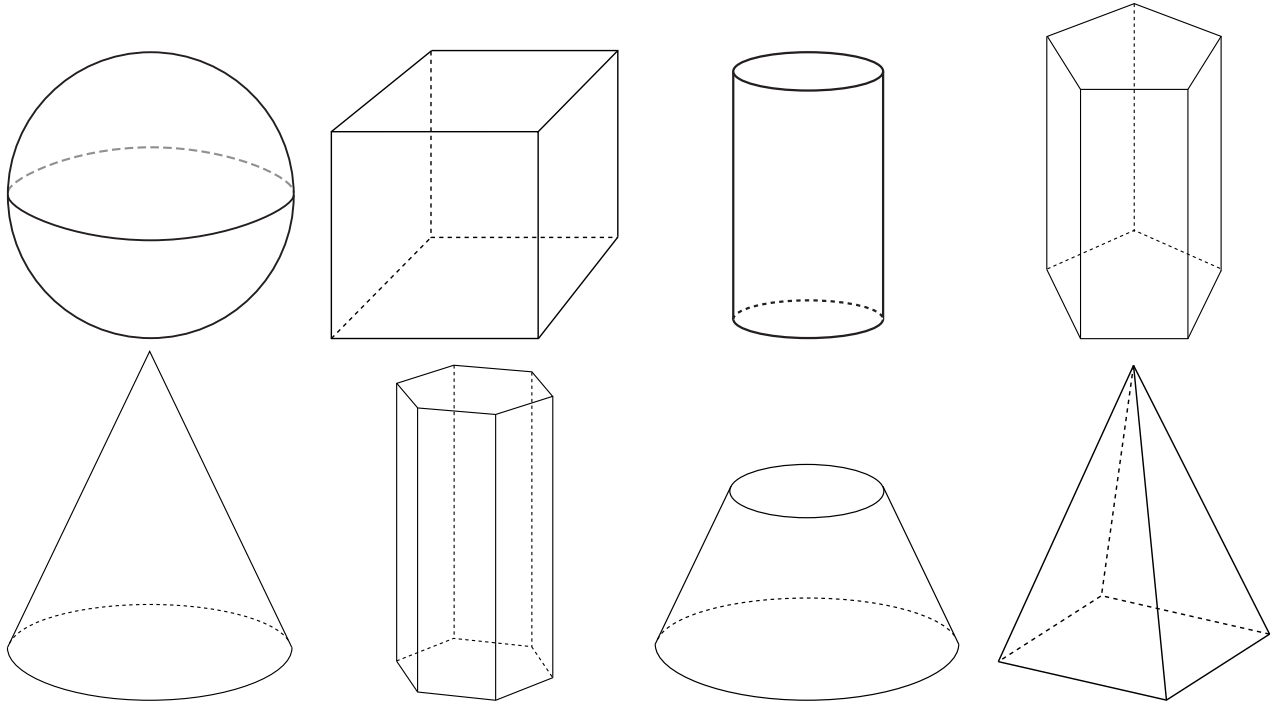


3D Shapes

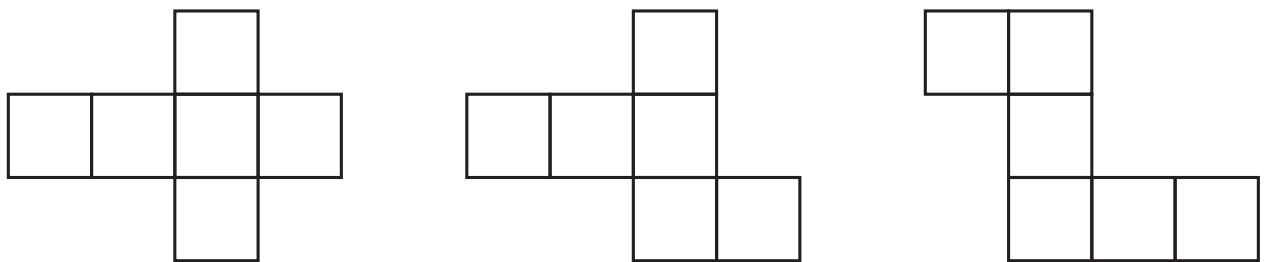


i. Name each of the following 3-Dimensional shapes



ii. For each of the shapes above, identify how many faces, edges and vertices the shape has

iii. Which of the following nets will not form a cube



iv. What is the volume of a cube with faces of length 3cm?

v. What is the volume of the following cuboid?

